

Split/Splitless Inlet

Description	Part No.	Qty.
1. O-rings HPM8 (10/pkg)	5180-4181	1
2. Septum Nut	18740-60835	1
3. Septum, 11 mm, solid, (25/pkg)*	5181-1263	1
4. Top Insert Assembly (EPC)	G1544-60575	1
(Manual Assy)	19251-60575	1
5. O-ring, * .239 in. (Order No. 5180-4182, 12/pkg)	0905-1014	1
6. Inlet Liner, Split Mode, Standard**	19251-60540	1
7. Split Vent Flow Line (14.2 in. long x 0.125 in. id)	G1544-20620	1
8. Split Vent Trap Assembly***	G1544-80550	1
Replacement Filter Cartridge Kit (2/pkg)	G1544-80530	–
9. Swagelok Nut, 1/8 in. brass (10/pkg) Order No.	5180-4103	1
10. Swagelok Back Ferrule, 1/8 in. brass (10/pkg) Order No.	5180-4115	1
11. Swagelok Front Ferrule, 1/8 in. brass (10/pkg) Order No.	5180-4109	1
12. Screw, M4 x 12 mm, Torx T20 (Captive)	1390-1023	3
13. Inlet Weldment	G1544-80570	1
14. Heater/Sensor Assembly	G1544-61140	1
15. Screw, M4 x 8 mm, Torx T20, chromeplated	0515-2711	3
16. Top Insulation	G1544-00010	1
17. Washer, 12/pkg	5061-5869	1
18. Thermal Block	G1544-20570	1
19. Block Insulation	G1544-00020	1
20. Thermal Nut	G1544-20590	1
21. Lower Inlet Seal, gold plated	18740-20885	1
Also in stainless steel (optional)	18740-20880	–
22. Flat Thrust Washer (Order No. 5061-5869, 12/pkg)	2190-0464	1
23. Reducing Nut	18740-20800	1
24. Insulation (lower)	G1544-00030	1
25. Insulation	19243-00065	2
26. Insulation	19243-00060	1
27. Bottom Insulation Cover	19243-00070	1
28. Ferrules (identify by internal diameter):*		
Solid (no hole) Ferrule Plug	5181-7458	1
Graphite Ferrule 0.5 mm id (10/pkg)	5080-8853	
Graphite Ferrule 1.0 mm id (10/pkg)	5080-8773	
29. Column Nut* (Order No. 5181-8830, 2/pkg)	18740-20870	1
30. Screw, M3 x 16 mm, Torx T10	1390-1022	1
31. Plastic Fitting, HPM8, (10/pkg)	5181-3394	1

* Also refer to the *Analytical Columns and Supplies Catalog*.

** See the Column Liners table for more liners, or the *Analytical Columns and Supplies Catalog*.

*** Order the Replacement Split Vent Trap kit, part no. G1544-60610, to replace the Split Vent Trap Assembly, part no. G1544-80500.

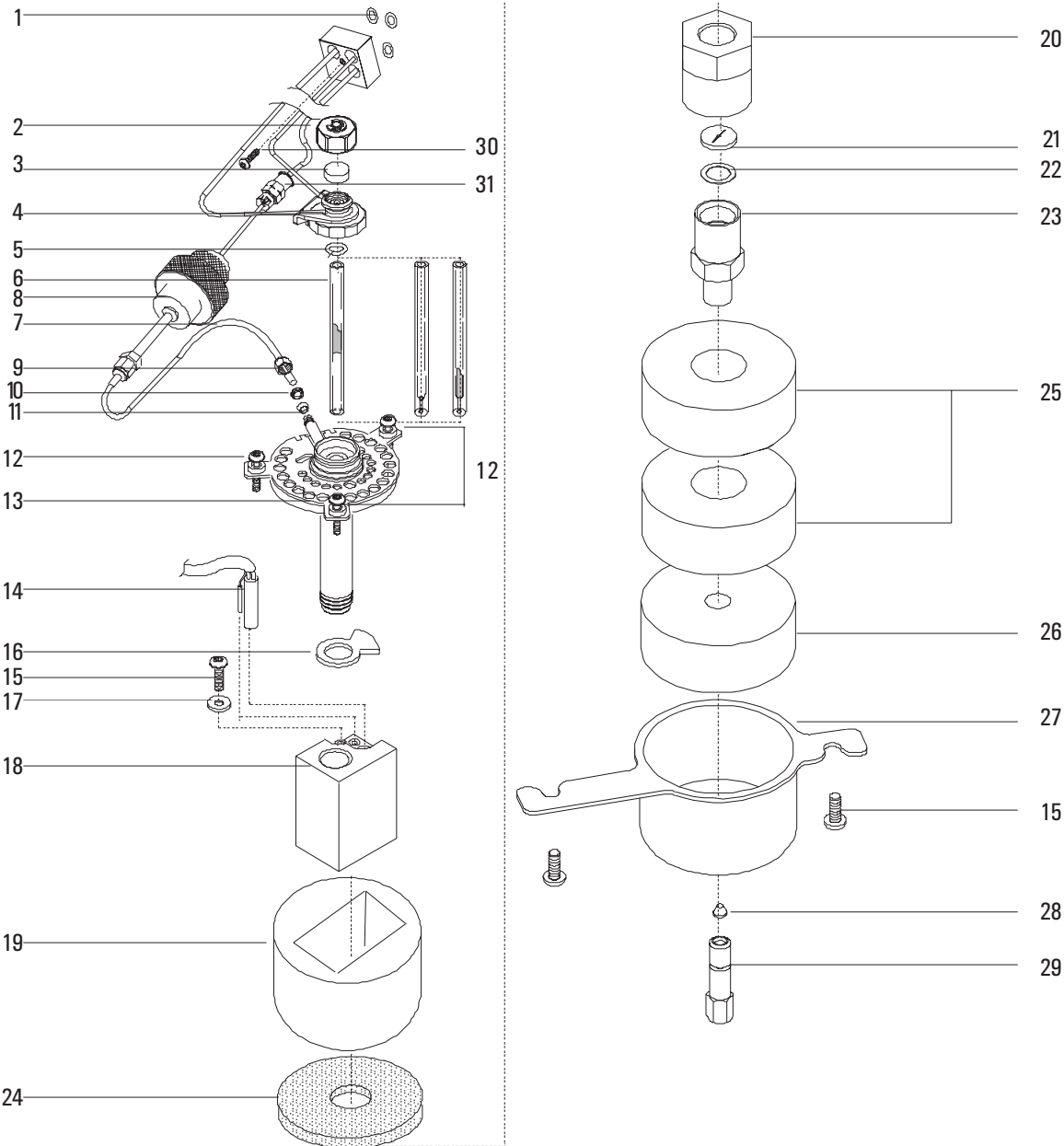


Figure 1310-1 Split/Splitless Inlet